



INSTALLATION INSTRUCTIONS FOR PART 99-9401

APPLICATIONS

2004-2006 Land Rover Freelander

99-9401

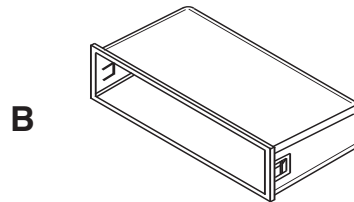
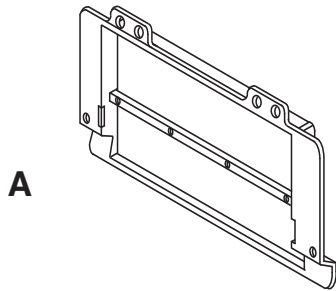
KIT FEATURES

- DIN Head Unit Provision With Removable Pocket



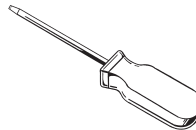
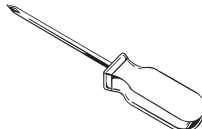
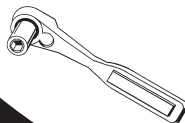
KIT COMPONENTS

- A) Radio Housing B) Pocket



TOOLS REQUIRED:

- Socket Wrench • Phillips Screwdriver • Small Flat Blade Screwdriver



1-800-221-0932



www.metraonline.com

© COPYRIGHT 2004-2007 METRA ELECTRONICS CORPORATION



TABLE OF CONTENTS

Dash Disassembly1,2

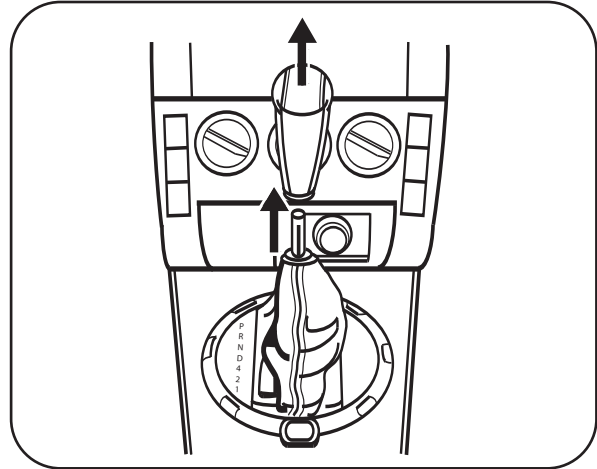
Kit Assembly 3

Final Assembly 4

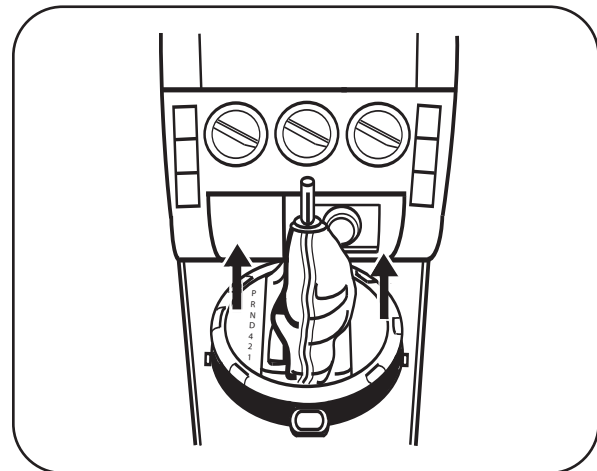
2004-2006 LAND ROVER FREELANDER

- 1 Disconnect the negative battery terminal to prevent an accidental short circuit.
- 2 Put gear shifter into neutral position then remove shift knob. (Figure A)
- 3 Unclip and remove gear shifter trim panel. (Figure B)
- 4 Unclip and remove rear ashtray panel from back of center console. (Figure C)
- 5 Open center console lid and remove cubby box. (Figure D)

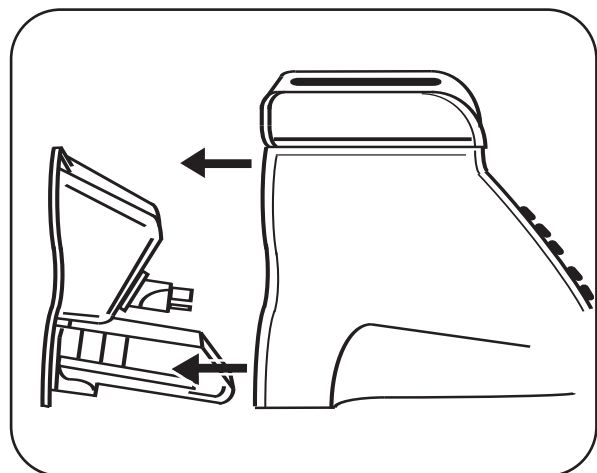
A



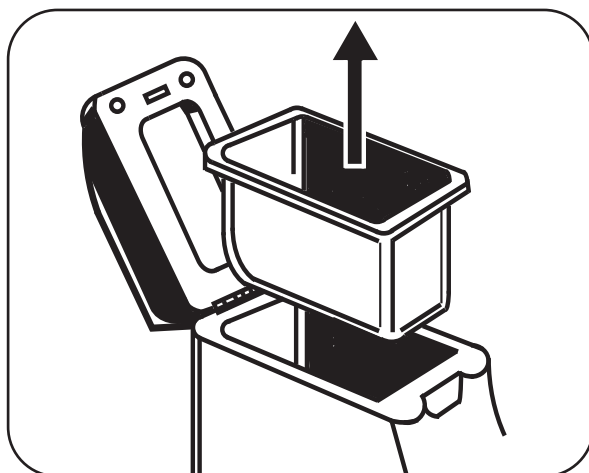
B



C



D



2004-2006 LAND ROVER FREELANDER

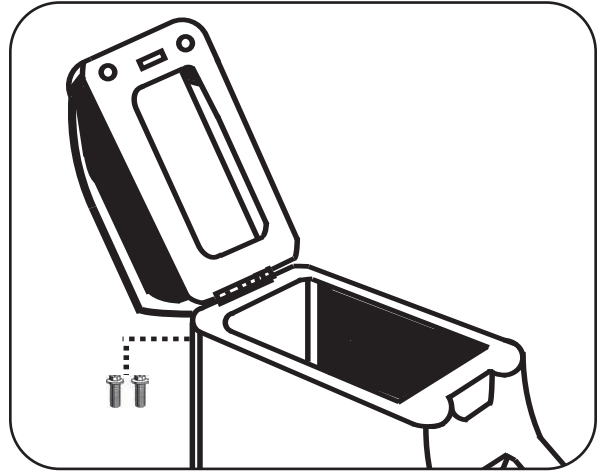
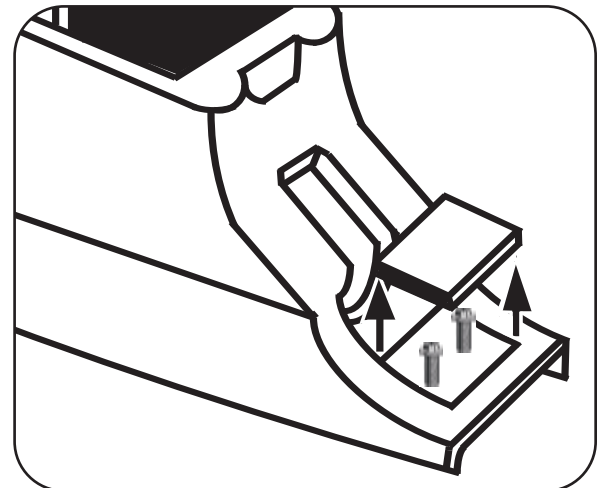
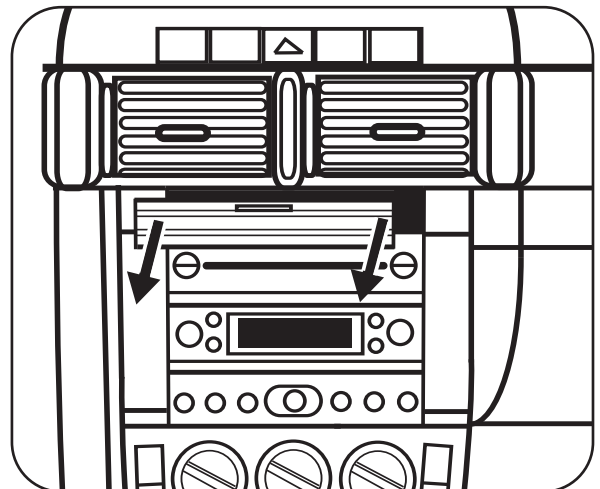
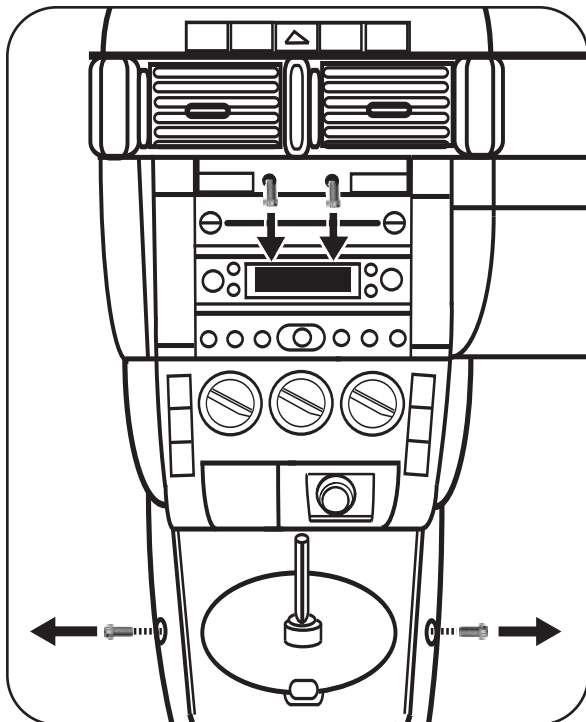
6 Remove the (2) screws securing the rear of the center console. (Figure E)

7 Remove the screw cover in front of the window switches then remove the (2) screws exposed underneath. (Figure F)

8 Unclip and remove the upper console finisher panel between the a/c vents and radio.. (Figure G)

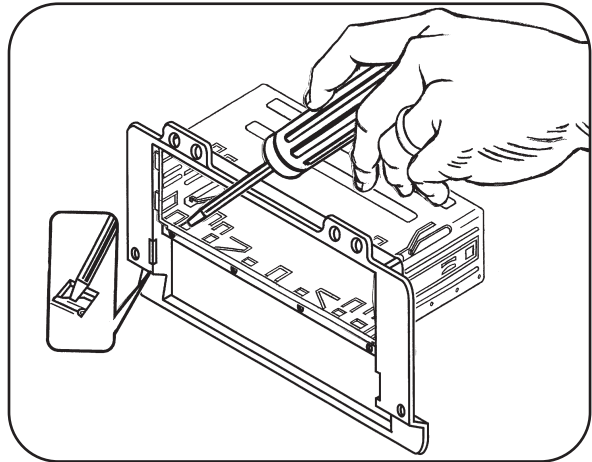
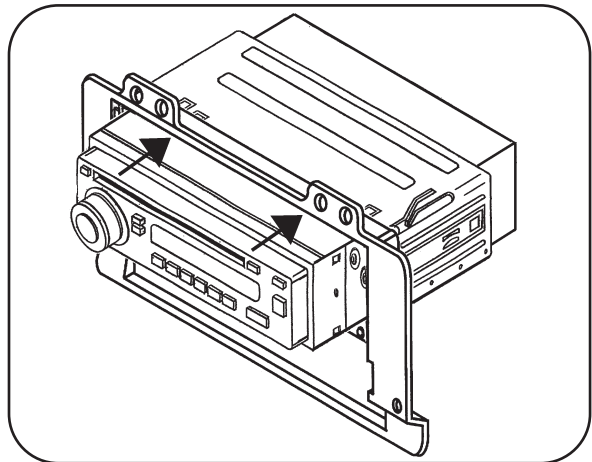
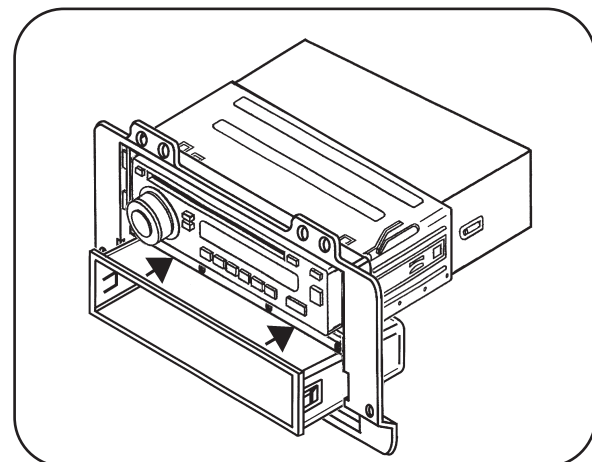
9 Remove the (4) screws securing the center console. (Figure H)

Remove the (2) screws securing the radio.

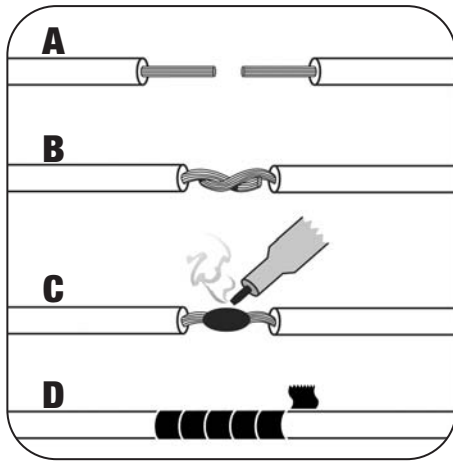
E

F

G

H


2004-2006 LAND ROVER FREELANDER **DIN HEAD UNIT PROVISION**

- 1** Slide the DIN cage into the Radio Housing and secure by bending the metal locking tabs down. (Figure A)
- 2** Slide the aftermarket head unit into the DIN cage until secure. (Figure B)
- 3** Slide the included pocket into the Radio Housing until secure. (Figure C)
- 4** Install kit assembly into dash.

A**B****C**

FINAL ASSEMBLY



- A) Strip wire ends back 1/2"**
- B) Twist ends together**
- C) Solder**
- D) Tape**

- 1** Locate the factory wiring harness in the dash. Metra recommends using the proper mating adapter and making connections as shown. (Isolate and individually tape off the ends of any unused wires to prevent electrical short circuit.)
- 2** Re-connect the negative battery terminal and test the unit for proper operation.
- 3** Reassemble radio and dash assemblies in reverse order of disassembly.

FINAL WIRING CONNECTIONS

Make wiring connections using the EIA color code chart shown below and the instructions included with the head unit. Metra recommends making connections as shown below; Strip, Splice, Solder, Tape. Isolate and individually tape off ends of any unused wires to prevent electrical short circuit.

METRA / EIA WIRING CODE

| | |
|------------------------------------|---|
| 12V Ignition / Acc . . . Red | Dimmer Orange / White |
| 12V Batt / Memory . . Yellow | Right Front (+) White |
| Ground Black* | Left Front (-) White / Black |
| Power Antenna Blue | Right Rear (+) Violet |
| Amp Turn-On Blue / White | Right Rear (-) Violet / Black |
| Amp Ground Black / White | Left Rear (+) Green |
| Illumination Orange | Left Rear (-) Green / Black |

***NOTE:** When Black a wire is not present, ground radio to vehicle chassis.
All colors may not be present on all leads due to manufacturer's specifications.

99-9401 INSTRUCTIONS



1-800-221-0932



www.metraonline.com

REV. 06/19/07

© COPYRIGHT 2004 METRA ELECTRONICS CORPORATION

INST99-9401